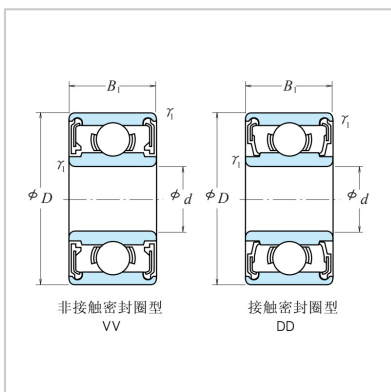
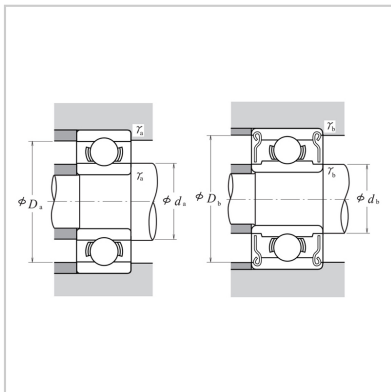


Miniature ball bearing

Metric series d 5-9mm-MR85



Bearing code :

| | |
|-------------------|------|
| Open type : | MR85 |
| Dust cover type : | - |
| Sealed 2RZ : | - |
| Sealed 2RS : | - |

External dimensions :

| | |
|------------------------|-----|
| d : | 5 |
| D : | 8 |
| B : | 2 |
| B1 : | - |
| $R^{(1)}$ (minimum) : | 0.1 |
| $R1^{(1)}$ (minimum) : | - |

Rated load (N) :

| | |
|-------|-----|
| Cr : | 310 |
| Cor : | 120 |

Rated load {kgf} :

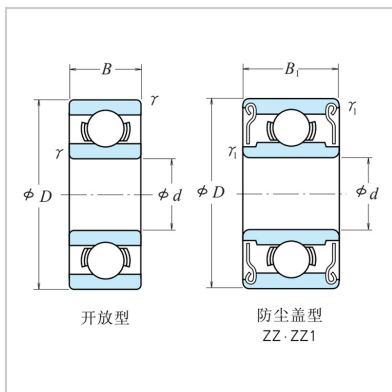
| | |
|-------|----|
| Cr : | 31 |
| Cor : | 12 |

Extreme speed (rpm) :

| | |
|--------------------------|-------|
| Lubricate ZZ with grease | 53000 |
| ZRZ. ZRS : | |
| D · D : | - |
| Oil lubrication Z : | 63000 |

Installation size (mm) :

| | |
|-------------------|-----|
| D_a (minimum) : | 5.8 |
| D_b (maximum) : | - |
| D_a (maximum) : | 7.2 |
| D_b (minimum) : | - |
| R_a (maximum) : | 0.1 |
| R_b (maximum) : | - |



Weight (g) (reference) :

| | |
|-------------------|------|
| Open type : | 0.26 |
| Dust cover type : | - |

: